

Finger Handles

Stainless Steel

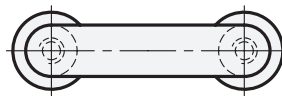
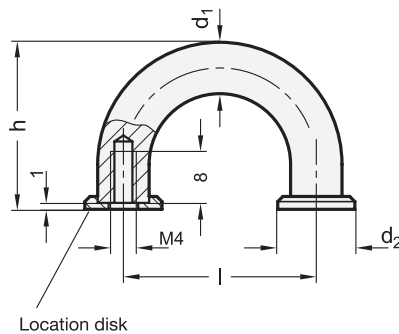
SPECIFICATION

Stainless steel AISI 304

- Matte, shot blasted
- Location disks
Stainless Steel AISI 303

TECHNICAL INFORMATION

- Stainless Steel Characteristics (see page A26)



GN 224.5

STAINLESS STEEL

Description	d ₁	Length l ±0.25	d ₂	h	Δ
GN 224.5-8-30	8	30	12	26	23
GN 224.5-10-40	10	40	15	31	46

